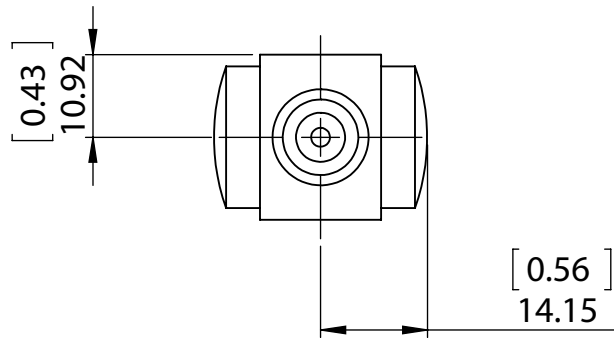


INSTALLATION INSTRUCTIONS

Step 1: Drill holes for the desired location.

Determine your desired location for installation and make a mark for the location. Make 1 mark where mounting screws will be placed as shown below. Drill hole at the mark.



Step 2: Pull Mounting

Mount Pull to desired location through screws provided.

